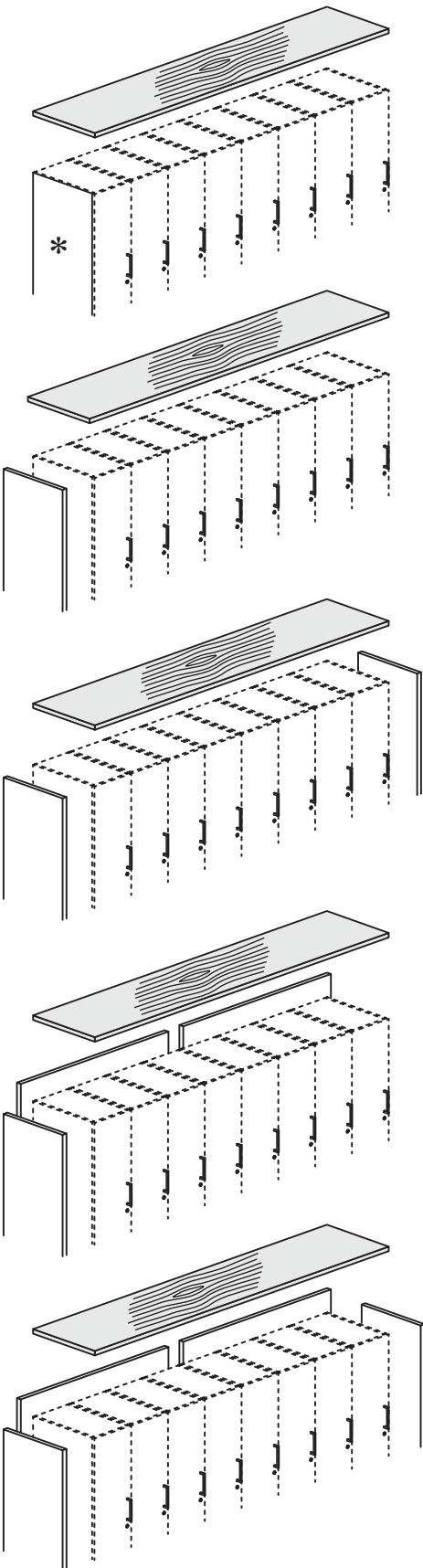


Choice Finishes:

Hardrock (HM), Cappuccino (CC), Brunt Cherry (BC), Cinnamon (CN), First Class (FC), Rhapsody (RH), Chameleon (CM), Free Spirit (FS), Glacier White (GW), Brushed Aluminum (BA), Evening Star (ES), Midnight Sun (MS).

* See PS2 Detail Guide for Visual Color Reference, see Code Order & Option Guide for customization details.

TOP CAP



Code H W D Color PRICE (List)

P T P C 01 ___ 21 (See above)

\$ 81.00

\$ 95.00
(per. lin. ft.)

DESCRIPTION

1-1/8" Top to fit finished locker footprint, 21" in depth. Available in 1ft. increments up to 8ft. in length. Specify width ___ to code above.

* FYI: Lockers can be ordered with finished sides if desired, contact customer service.



We recommend dividing top into equal sections when 8ft. max. run length is exceeded.

Code H W D Color PRICE (List)

P T P E 01 ___ 21 (See above)

\$ 81.00

\$ 95.00
(per. lin. ft.)

DESCRIPTION

1-1/8" Top to fit finished locker footprint, 21" in depth. Available in 1ft. increments up to 8ft. in length with end panel accommodated on one end only, can be used left or right. Specify width ___ to code above.



We recommend dividing top into equal sections when 8ft. max. run length is exceeded.

Code H W D Color PRICE (List)

P T P D 01 ___ 21 (See above)

\$ 84.00

\$ 98.00
(per. lin. ft.)

DESCRIPTION

1-1/8" Top to fit finished locker with end panels, 21" in depth. Available in 1ft. increments up to 8ft. in length with end panels accommodated on both ends. Specify width ___ to code above.



We recommend dividing top into equal sections when 8ft. max. run length is exceeded.

Code H W D Color PRICE (List)

P T P B 01 ___ 22 (See above)

\$ 84.00

\$ 98.00
(per. lin. ft.)

DESCRIPTION

1-1/8" Top to fit finished locker with back and one end panel, 21.75" in depth. Available in 1ft. increments up to 8ft. in length with gable accommodated on one end and back panel, can be used left or right. Specify width ___ to code above.



We recommend dividing top into equal sections when 8ft. max. run length is exceeded.

Code H W D Color PRICE (List)

P T P F 01 ___ 22 (See above)

\$ 87.00

\$ 101.00
(per. lin. ft.)

DESCRIPTION

1-1/8" Top to fit finished locker with back and end panels, 21.75" in depth. Available in 1ft. increments up to 8ft. in length with end panels left and right accommodated. Specify width ___ to code above.



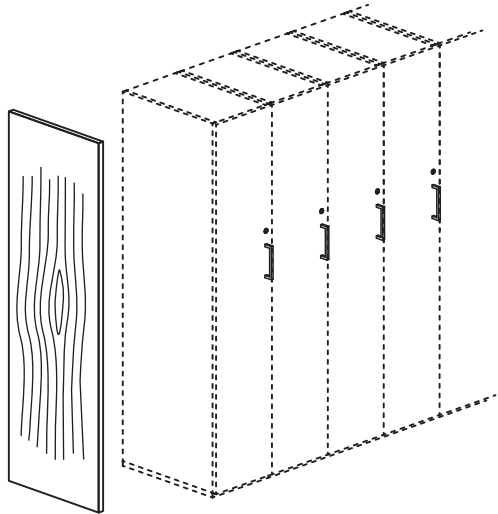
We recommend dividing top into equal sections when 8ft. max. run length is exceeded.

Choice Finishes:

Hardrock (HM), Cappuccino (CC), Brunt Cherry (BC), Cinnamon (CN), First Class (FC), Rhapsody (RH), Chameleon (CM), Free Spirit (FS), Glacier White (GW), Brushed Aluminum (BA), Evening Star (ES), Midnight Sun (MS).

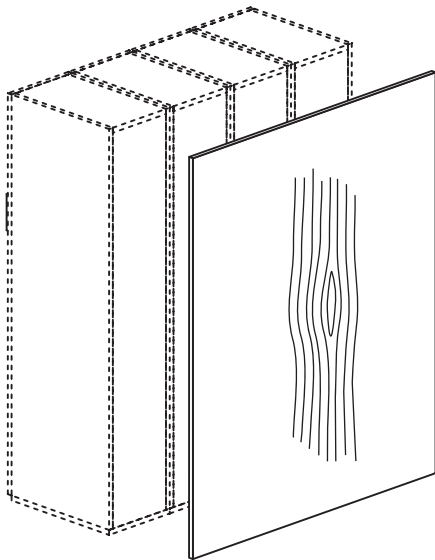
* See PS2 Detail Guide for Visual Color Reference, see Code Order & Option Guide for customization details.

END PANEL



Code	H	W	D	Color	DESCRIPTION	PRICE (List)	
P E P S	72	01	21	(above)	3/4" end panel to fit locker footprint front to back, 21" in depth.	\$ 239.00	\$ 282.00
P E P S	60	01	21	(above)		\$ 209.00	\$ 247.00
P E P S	48	01	21	(above)		\$ 186.00	\$ 220.00
P E P S	36	01	21	(above)		\$ 159.00	\$ 195.00
Code	H	W	D	Color	DESCRIPTION	PRICE (List)	
P E P F	72	01	22	(above)	3/4" End panel sized to accommodate back panel, 21.75" deep.	\$ 239.00	\$ 282.00
P E P F	60	01	22	(above)		\$ 209.00	\$ 247.00
P E P F	48	01	22	(above)		\$ 186.00	\$ 220.00
P E P F	36	01	22	(above)		\$ 159.00	\$ 195.00

BACK PANEL



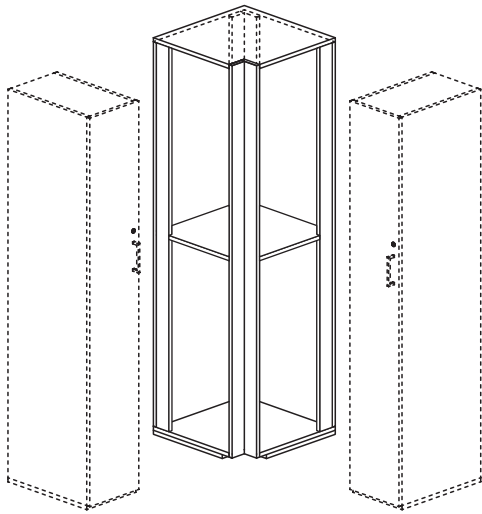
Code	H	W	D	Color	DESCRIPTION	PRICE (List)	
P B K P	72	48	01	(above)	3/4" Back panel. Available up to 48" wide max.	\$ 379.00	\$ 447.00
P B K P	60	48	01	(above)		\$ 334.00	\$ 394.00
P B K P	48	48	01	(above)		\$ 289.00	\$ 341.00
P B K P	36	48	01	(above)		\$ 244.00	\$ 288.00
Code	H	W	D	Color	DESCRIPTION	PRICE (List)	
P B K P	72	36	01	(above)	3/4" Back panel. Available up to 48" wide max.	\$ 336.00	\$ 385.00
P B K P	60	36	01	(above)		\$ 288.00	\$ 340.00
P B K P	48	36	01	(above)		\$ 250.00	\$ 295.00
P B K P	36	36	01	(above)		\$ 212.00	\$ 250.00
Code	H	W	D	Color	DESCRIPTION	PRICE (List)	
P B K P	72	24	01	(above)	3/4" Back panel. Available up to 48" wide max.	\$ 273.00	\$ 322.00
P B K P	60	24	01	(above)		\$ 242.00	\$ 286.00
P B K P	48	24	01	(above)		\$ 211.00	\$ 249.00
P B K P	36	24	01	(above)		\$ 180.00	\$ 213.00
Code	H	W	D	Color	DESCRIPTION	PRICE (List)	
P B K P	72	12	01	(above)	3/4" Back panel. Available up to 48" wide max.	\$ 220.00	\$ 260.00
P B K P	60	12	01	(above)		\$ 196.00	\$ 232.00
P B K P	48	12	01	(above)		\$ 172.00	\$ 203.00
P B K P	36	12	01	(above)		\$ 148.00	\$ 175.00

Choice Finishes:

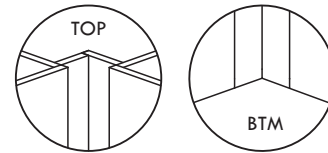
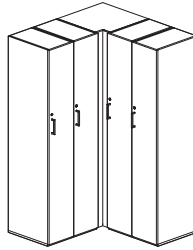
Hardrock (HM), Cappuccino (CC), Brunt Cherry (BC), Cinnamon (CN), First Class (FC), Rhapsody (RH), Chameleon (CM), Free Spirit (FS), Glacier White (GW), Brushed Aluminum (BA), Evening Star (ES), Midnight Sun (MS).

* See PS2 Detail Guide for Visual Color Reference, see Code Order & Option Guide for customization details.

BASE PLATE

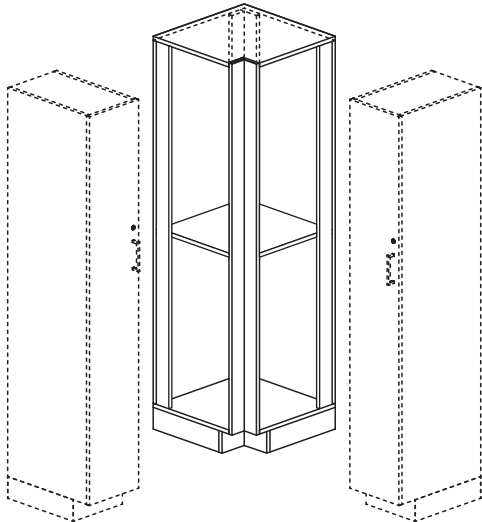


Code	H	W	D	Color	DESCRIPTION	PRICE (List)
P C R N	72	24	24	(above)	3/4" Base plate with five 1" non marring levelers.	\$ 239.00 \$ 282.00
P C R N	60	24	24	(above)	3/4" Cabinet construction, white. 3" corner offset left and right. Base edge matches door finish.	\$ 209.00 \$ 247.00
P C R N	48	24	24	(above)	Base & bottom drilled thru in corners for leveler adjustment.	\$ 186.00 \$ 220.00
P C R N	36	24	24	(above)		\$ 159.00 \$ 195.00

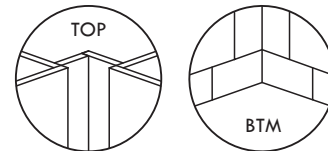
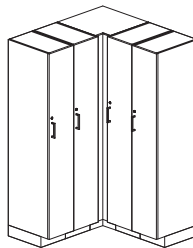


CORNER DETAIL

4" PLATFORM

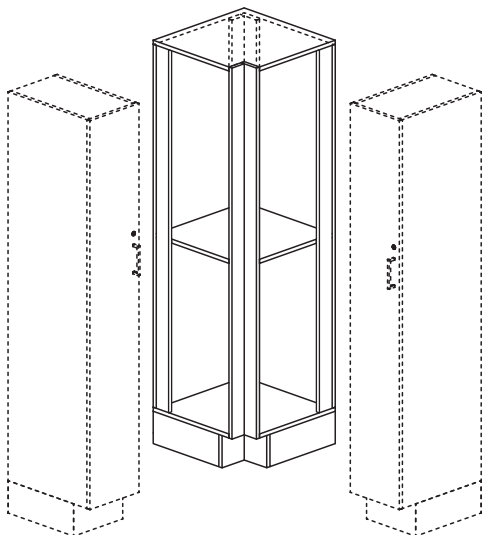


Code	H	W	D	Color	DESCRIPTION	PRICE (List)
P C R N	76	24	24	(above)	3/4" Cabinet construction, white. 3" corner offset left and right. Front corner panels match door.	\$ 239.00 \$ 282.00
P C R N	64	24	24	(above)	4" Base platform finished in black with five 1" non marring levelers.	\$ 209.00 \$ 247.00
P C R N	52	24	24	(above)	For matching base add optional 4" Kick-plate from Millwork pg. 4. Platform & bottom drilled thru in corner for leveler adjustment.	\$ 186.00 \$ 220.00
P C R N	40	24	24	(above)		\$ 159.00 \$ 195.00

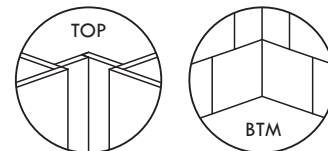
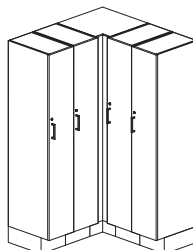


CORNER DETAIL

6" PLATFORM



Code	H	W	D	Color	DESCRIPTION	PRICE (List)
P C R N	78	24	24	(above)	3/4" Cabinet construction, white. 3" corner offset left and right. Front corner panels match door.	\$ 239.00 \$ 282.00
P C R N	68	24	24	(above)	6" Base platform finished in black with five 1" non marring levelers.	\$ 209.00 \$ 247.00
P C R N	54	24	24	(above)	For matching base add optional 6" Kick-plate from Millwork pg. 4. Platform & bottom drilled thru in corner for leveler adjustment.	\$ 186.00 \$ 220.00
P C R N	42	24	24	(above)		\$ 159.00 \$ 195.00



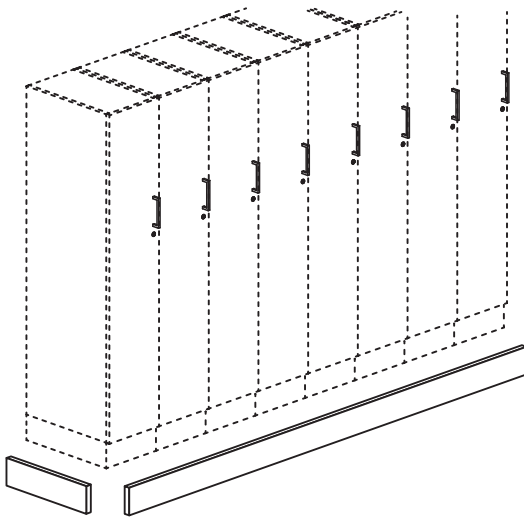
CORNER DETAIL

Choice Finishes:

Hardrock (HM), Cappuccino (CC), Brunt Cherry (BC), Cinnamon (CN), First Class (FC), Rhapsody (RH), Chameleon (CM), Free Spirit (FS), Glacier White (GW), Brushed Aluminum (BA), Evening Star (ES), Midnight Sun (MS).

* See PS2 Detail Guide for Visual Color Reference, see Code Order & Option Guide for customization details.

KICKPLATE

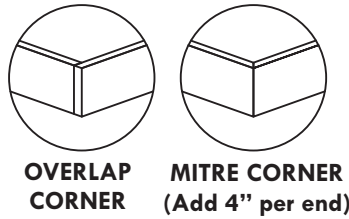


Code H W D Color DESCRIPTION PRICE (List)

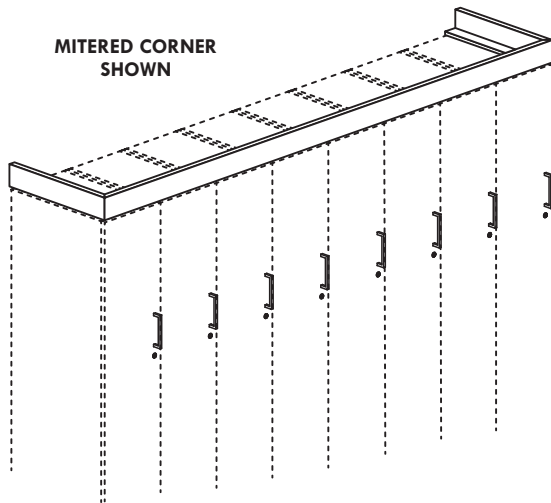
P X K P 04 ___ 01 (above) 4" Kick Plate, 3/4" thick. Edged two sides short. Available max. in 8ft. lengths. Add 4" total per mitred corner end to overall length. Specify width ___ in code.

USA \$ 34.00
CAN \$ 41.00 (per. lin. ft.)

P X K P 06 ___ 01 (above) 6" Kick Plate, 3/4" thick. Edged two sides short. Available max. in 8ft. lengths. Add 4" total per mitred corner end to overall length. Specify width ___ in code.



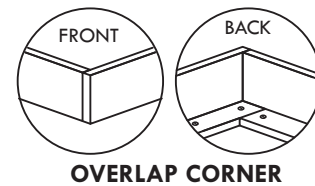
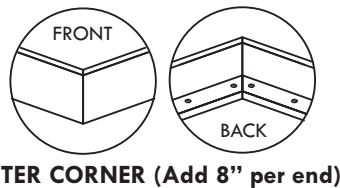
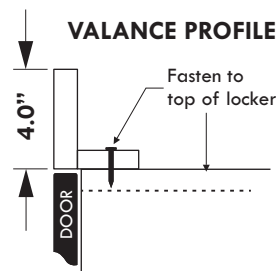
VALANCE



Code H W D Color PRICE (List)

P V L M 04 ___ 04 (above) DESCRIPTION: Must specify width ___ in code. 4" High Valance, 3/4" construction. Available max. 8ft. lengths. Add 8" total per mitred corner end to overall length. Add end panel or back thickness if optioned to size calculation.

USA \$ 42.00
CAN \$ 50.00 (per. lin. ft.)

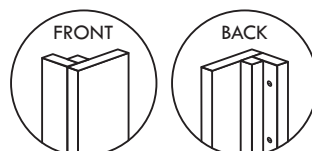


WALL FILLER

Code H W D Color PRICE (List)

P W F L 72 06 01 (above) USA \$ 122.00 CAN \$ 144.00
 P W F L 60 06 01 (above) USA \$ 140.00 CAN \$ 165.00
 P W F L 48 06 01 (above) USA \$ 157.00 CAN \$ 185.00
 P W F L 36 06 01 (above) USA \$ 175.00 CAN \$ 206.00

DESCRIPTION: 6" wide filler strip to trim fit onsite, edged two sides long. 3/4" construction, includes pre-assembled corner block with attachment strip. For custom widths please advise customer service.



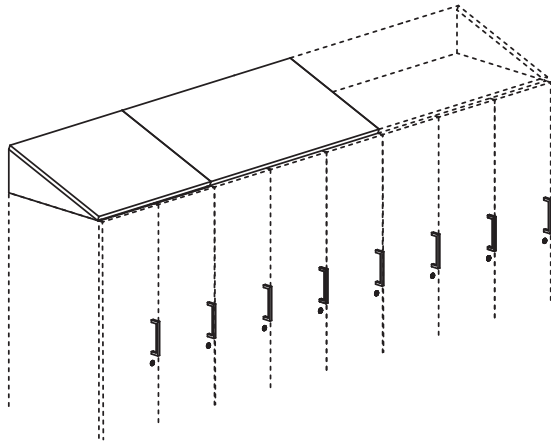
WALL FILLER DETAIL

Choice Finishes:

Hardrock (HM), Cappuccino (CC), Brunt Cherry (BC), Cinnamon (CN), First Class (FC), Rhapsody (RH), Chameleon (CM), Free Spirit (FS), Glacier White (GW), Brushed Aluminum (BA), Evening Star (ES), Midnight Sun (MS).

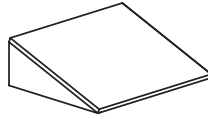
* See PS2 Detail Guide for Visual Color Reference, see Code Order & Option Guide for customization details.

LINEAR SHOE BARRIER



Code	H	W	D	Color	DESCRIPTION	PRICE (List)
------	---	---	---	-------	-------------	--------------

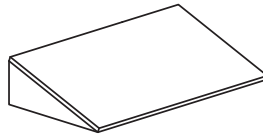
P S B X 08 24 20 (above)



24" wide, 3/4" construction.
Two finished sides.
20 degree slope.
Sized to fit 2 locker footprint.

	\$ 321.00
	\$ 378.00
(per. lin. ft.)	

P S B X 08 36 20 (above)



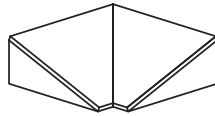
36" wide, 3/4" construction.
Two finished sides.
20 degree slope.
Sized to fit 3 locker footprint.

	\$ 366.00
	\$ 432.00
(per. lin. ft.)	

INNER CORNER SHOE BARRIER

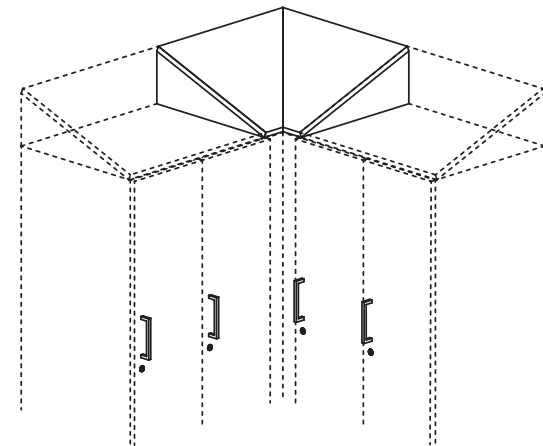
Code	H	W	D	Color	DESCRIPTION	PRICE (List)
------	---	---	---	-------	-------------	--------------

P S B N 08 24 24 (above)



24"x 24" inner corner.
3/4" construction.
Two finished sides.
20 degree slope.
Sized to fit corner with 3" locker offset left and right.
To be used in-conjunction with linear shoe barriers.

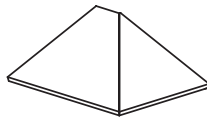
	\$ 509.00
	\$ 600.00
(per. lin. ft.)	



OUTER CORNER SHOE BARRIER

Code	H	W	D	Color	DESCRIPTION	PRICE (List)
------	---	---	---	-------	-------------	--------------

P S B R 08 24 20 (above)



24"x 20" Right outside corner.
3/4" construction.
Two finished sides.
20 degree slope.
Sized to fit outside corner.
To be used in-conjunction with linear shoe barriers.

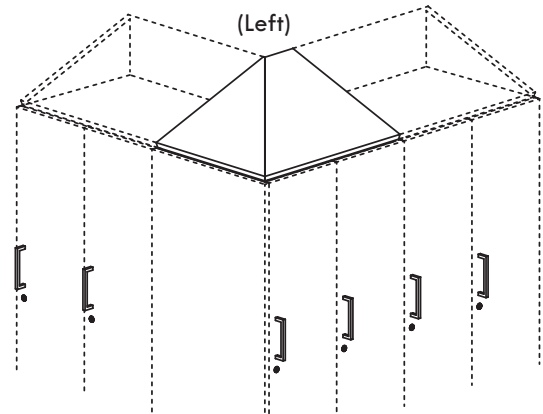
	\$ 509.00
	\$ 600.00
(per. lin. ft.)	

P S B L 08 20 24 (above)



24"x 20" Left outside corner.
3/4" construction.
Two finished sides.
20 degree slope.
Sized to fit outside corner.
To be used in-conjunction with linear shoe barriers.

	\$ 509.00
	\$ 600.00
(per. lin. ft.)	



FYI: End locker can be ordered with finished ends in this application contact customer service for details.