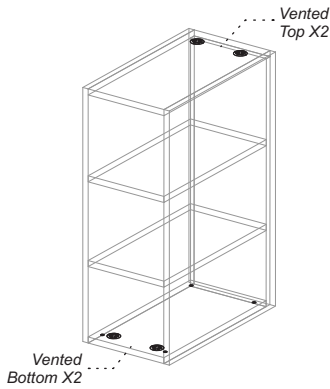


3 TIER - 36" HIGH

4 TIER - 48" HIGH

5 TIER - 60" HIGH

6 TIER - 72" HIGH

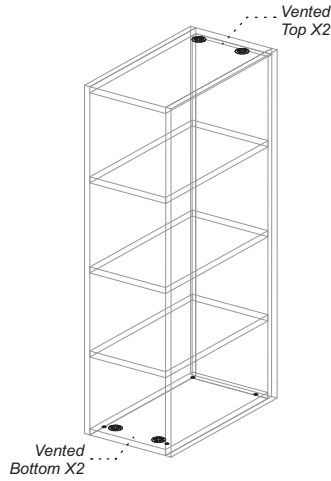


DESCRIPTION:

36" high, 3 Tier cubby, white interior, optional Maple finish available. Vented top and bottom.
Pocket size:
 11"H. x 10.5" W. 19.25" D.

SPECIFICATION:

Overall Size:
 36" H. x 12" W. x 20" D. (Optn. sizes avail.).
Material:
 3/4" White melamine composite board.
Construction:
 - Wood dowels with metal to metal fittings.
 - Bottom drilled through in corners for leveler adjustment pass thru.
Edging:
 - Edging: 1mm PVC edging on cabinet, front edge of cabinet matches cabinet finish.

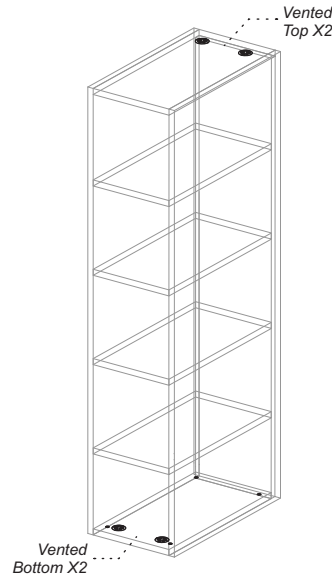


DESCRIPTION:

48" high, 4 Tier cubby, white interior, optional Maple finish available. Vented top and bottom.
Pocket size:
 11"H. x 10.5" W. 19.25" D.

SPECIFICATION:

Overall Size:
 48" H. x 12" W. x 20" D. (Optn. sizes avail.).
Material:
 3/4" White melamine composite board.
Construction:
 - Wood dowels with metal to metal fittings.
 - Bottom drilled through in corners for leveler adjustment pass thru.
Edging:
 - Edging: 1mm PVC edging on cabinet, front edge of cabinet matches cabinet finish.

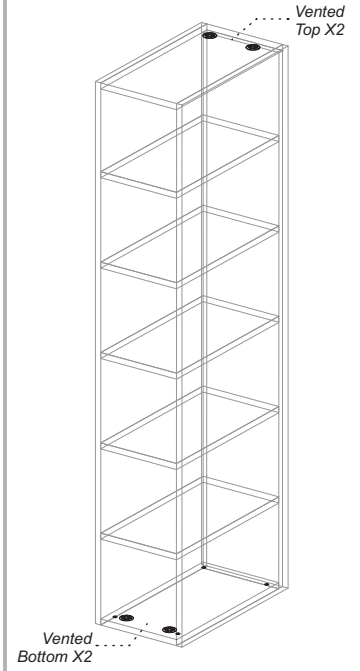


DESCRIPTION:

60" high, 5 Tier cubby, white interior, optional Maple finish available. Vented top and bottom.
Pocket size:
 11"H. x 10.5" W. 19.25" D.

SPECIFICATION:

Overall Size:
 60" H. x 12" W. x 20" D. (Optn. sizes avail.).
Material:
 3/4" White melamine composite board.
Construction:
 - Wood dowels with metal to metal fittings.
 - Bottom drilled through in corners for leveler adjustment pass thru.
Edging:
 - Edging: 1mm PVC edging on cabinet, front edge of cabinet matches cabinet finish.



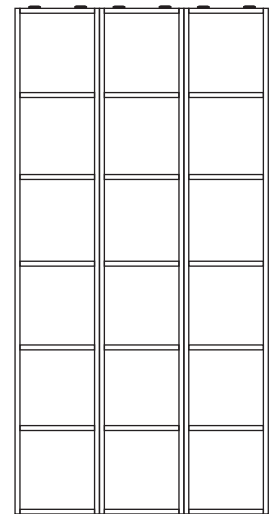
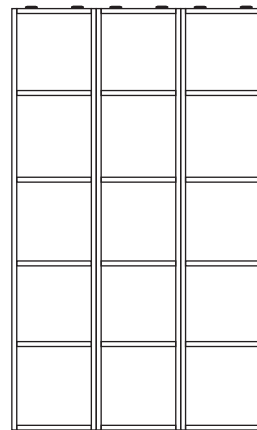
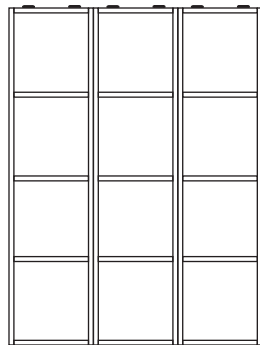
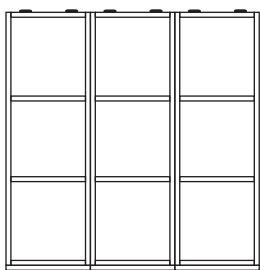
DESCRIPTION:

72" high, 6 Tier cubby, white interior, optional Maple finish available. Vented top and bottom.
Pocket size:
 11"H. x 10.5" W. 19.25" D.

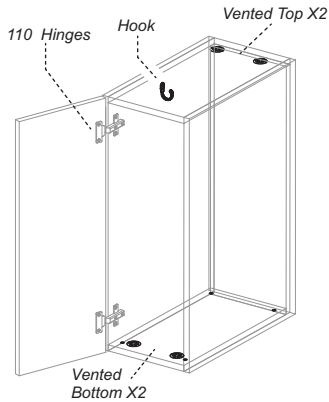
SPECIFICATION:

Overall Size:
 72" H. x 12" W. x 20" D. (Optn. sizes avail.).
Material:
 3/4" White melamine composite board.
Construction:
 - Wood dowels with metal to metal fittings.
 - Bottom drilled through in corners for leveler adjustment pass thru.
Edging:
 - Edging: 1mm PVC edging on cabinet, front edge of cabinet matches cabinet finish.

OPEN STORAGE TYPICAL - 3 WIDE SHOWN (Standard Base)



36" HIGH



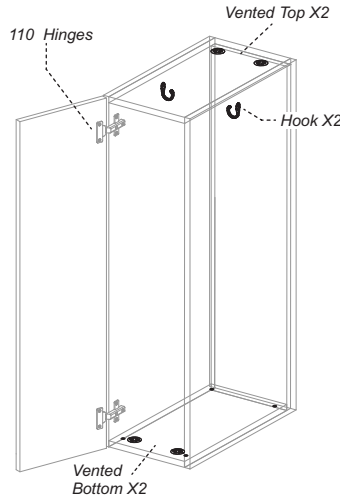
DESCRIPTION:

Single locker with white interior, optional maple finish available.
 Includes: Cam Lock, Keyed.
 Handles Incl., Moon, Box, Button, Gala. Coat Hook.
 Vented Caps Top and Bottom.
 Horizontal or Vertical door face layout.

SPECIFICATION:

- Size: 36" H. x 12" W. x 21" D. (Optn. sizes avail.).
- Pocket size: 34.5"H. x 10.5" W. 19.25" D.
- Construction: 3/4" white melamine composite, wood dowels with metal to metal fittings.
- Doors: 3/4" Melamine Composite board or Thermo-fused M.D.F dependant on style.
- Name & Number Plate: pricing per request.
- Lock: Cam Lock Keyed included, optional locks available.
- Hinge: 110 degree hinges, 2 per door. Optional 165 degree hinges available.
- Edging: 1mm PVC edging on cabinet, 2mm edge on door. Front edge of cabinet matches door finish.
- Bottom drilled through in corners for leveler adjustment pass thru.

48" HIGH



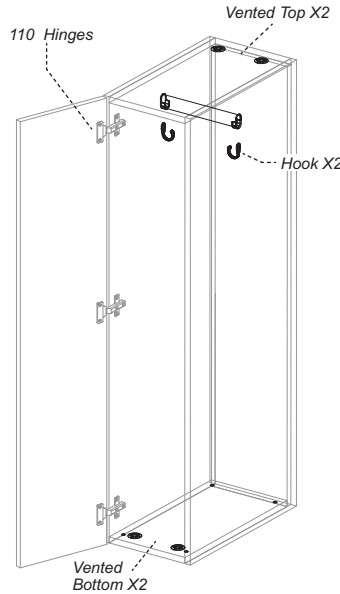
DESCRIPTION:

Single locker with white interior, optional maple finish available.
 Includes: Cam Lock, Keyed.
 Handles Incl., Moon, Box, Button, Gala. Coat Hooks.
 Vented Caps Top and Bottom.
 Horizontal or Vertical door face layout.

SPECIFICATION:

- Size: 48" H. x 12" W. x 21" D. (Optn. sizes avail.).
- Pocket size: 46.5"H. x 10.5" W. 19.25" D.
- Construction: 3/4" white melamine composite, wood dowels with metal to metal fittings.
- Doors: 3/4" Melamine Composite board or Thermo-fused M.D.F dependant on style.
- Name & Number Plate: pricing per request.
- Lock: Cam Lock Keyed included, optional locks available.
- Hinge: 110 degree hinges, 2 per door. Optional 165 degree hinges available.
- Edging: 1mm PVC edging on cabinet, 2mm edge on door. Front edge of cabinet matches door finish.
- Bottom drilled through in corners for leveler adjustment pass thru.

60" HIGH



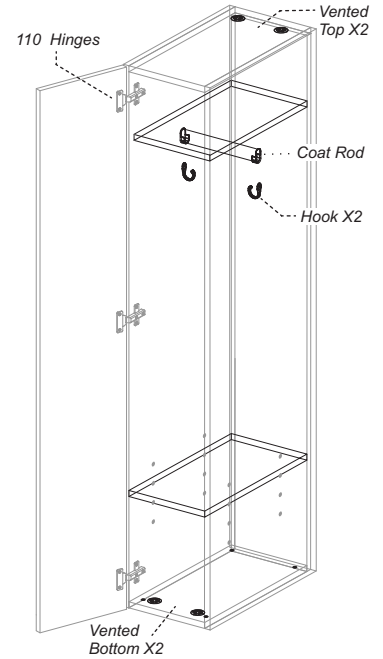
DESCRIPTION:

Single locker with white interior, optional maple finish available.
 Includes: Cam Lock, Keyed.
 Handles Incl., Moon, Box, Button, Gala. Coat Rod & Coat Hooks.
 Vented Caps Top and Bottom.
 Horizontal or Vertical door face layout.

SPECIFICATION:

- Size: 60" H. x 12" W. x 21" D. (Optn. sizes avail.).
- Pocket size: 58.5"H. x 10.5" W. 19.25" D.
- Construction: 3/4" white melamine composite, wood dowels with metal to metal fittings.
- Doors: 3/4" Melamine Composite board or Thermo-fused M.D.F dependant on style.
- Name & Number Plate: pricing per request.
- Lock: Cam Lock Keyed included, optional locks available.
- Hinge: 110 degree hinges, 3 per door. Optional 165 degree hinges available.
- Edging: 1mm PVC edging on cabinet, 2mm edge on door. Front edge of cabinet matches door finish.
- Bottom drilled through in corners for leveler adjustment pass thru.

72" HIGH



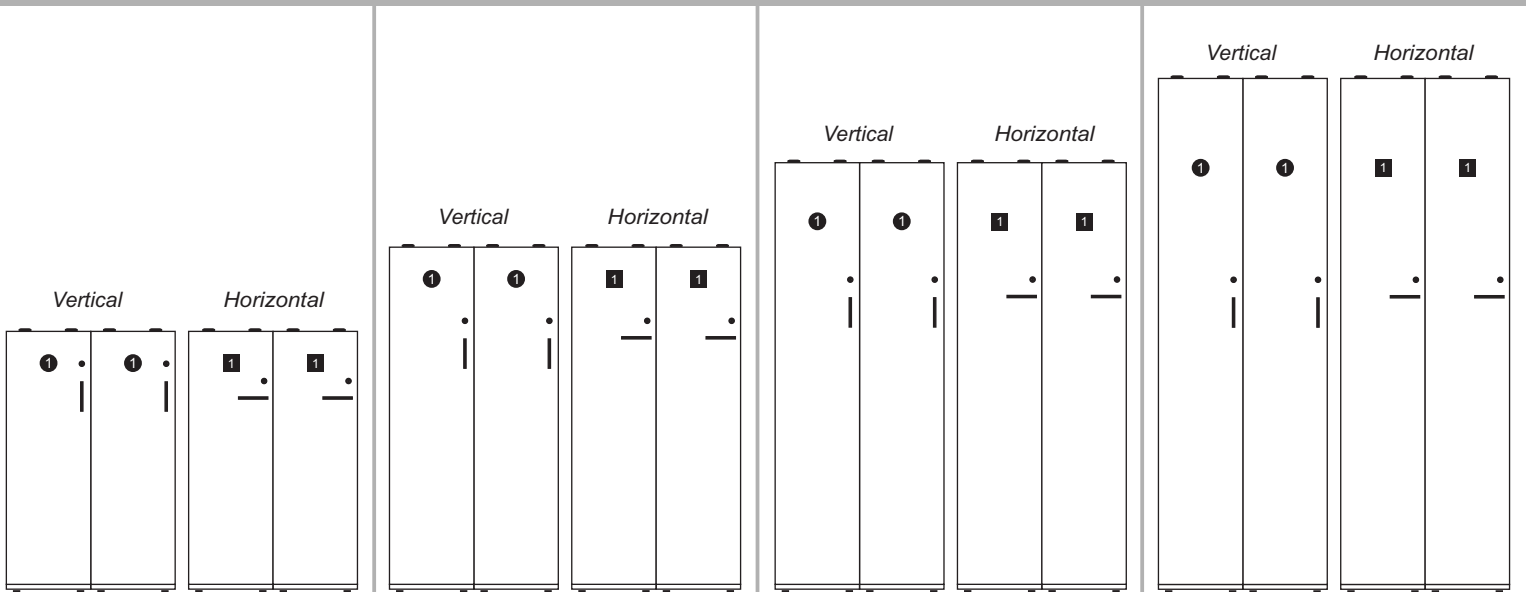
DESCRIPTION:

Single locker with upper fixed shelf and lower adjustable shelf. White interior, optional Maple finish available.
 Includes: Cam Lock, Keyed.
 Handles Incl., Moon, Box, Button, Gala. Coat Rod & Coat Hooks.
 Vented Caps Top and Bottom.
 Horizontal or Vertical door face layout.
 Fixed Upper Shelf, Lower Adj. Shelf.

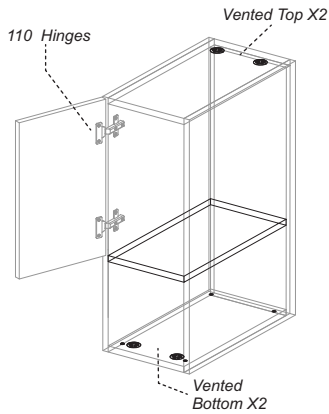
SPECIFICATION:

- Size: 72" H. x 12" W. x 21" D. (Optn. sizes avail.).
- Pocket size: 70.5"H. x 10.5" W. 19.25" D.
- Construction: 3/4" white melamine composite, wood dowels with metal to metal fittings.
- Doors: 3/4" Melamine Composite board or Thermo-fused M.D.F dependant on style.
- Name & Number Plate: pricing per request.
- Lock: Cam Lock Keyed included, optional locks available.
- Hinge: 110 degree hinges, 3 per door. Optional 165 degree hinges available.
- Edging: 1mm PVC edging on cabinet, 2mm edge on door. Front edge of cabinet matches door finish.
- Bottom drilled through in corners for leveler adjustment pass thru.

HANDLE LAYOUT TYPICALS (Standard Base)



36" HIGH



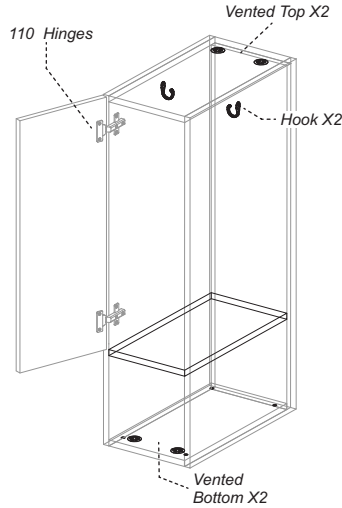
DESCRIPTION:

Single locker with lower open cubby, white interior, optional maple finish available.
Includes: Cam Lock, Keyed.
Handles Incl., Moon, Box, Button, Gala.
Vented Caps Top and Bottom.
Horizontal or Vertical door face layout.

SPECIFICATION:

- Size: 36" H. x 12" W. x 21" D. (Optn. sizes avail.).
- Pocket size: 21.75"H. x 10.5" W. 19.25" D.
- Construction: 3/4" white melamine composite, wood dowels with metal to metal fittings.
- Doors: 3/4" Melamine Composite board or Thermo-fused M.D.F dependant on style.
- Name & Number Plate: pricing per request.
- Lock: Cam Lock Keyed included, optional locks available.
- Hinge: 110 degree hinges, 2 per door. Optional 165 degree hinges available.
- Edging: 1mm PVC edging on cabinet, 2mm edge on door. Front edge of cabinet matches door finish.
- Bottom drilled through in corners for leveler adjustment pass thru.

48" HIGH



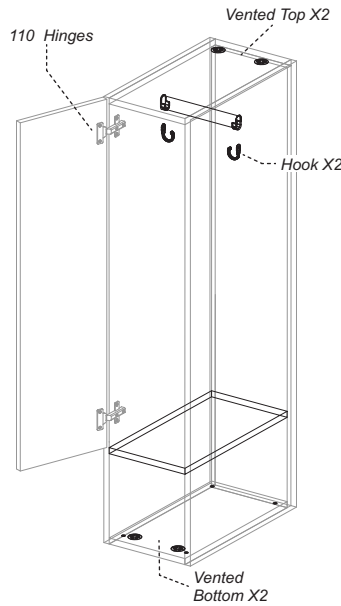
DESCRIPTION:

Single locker with lower open cubby, white interior, optional maple finish available.
Includes: Cam Lock, Keyed.
Handles Incl., Moon, Box, Button, Gala.
Coat Hooks.
Vented Caps Top and Bottom.
Horizontal or Vertical door face layout.

SPECIFICATION:

- Size: 48" H. x 12" W. x 21" D. (Optn. sizes avail.).
- Pocket size: 33.75"H. x 10.5" W. 19.25" D.
- Construction: 3/4" white melamine composite, wood dowels with metal to metal fittings.
- Doors: 3/4" Melamine Composite board or Thermo-fused M.D.F dependant on style.
- Name & Number Plate: pricing per request.
- Lock: Cam Lock Keyed included, optional locks available.
- Hinge: 110 degree hinges, 2 per door. Optional 165 degree hinges available.
- Edging: 1mm PVC edging on cabinet, 2mm edge on door. Front edge of cabinet matches door finish.
- Bottom drilled through in corners for leveler adjustment pass thru.

60" HIGH



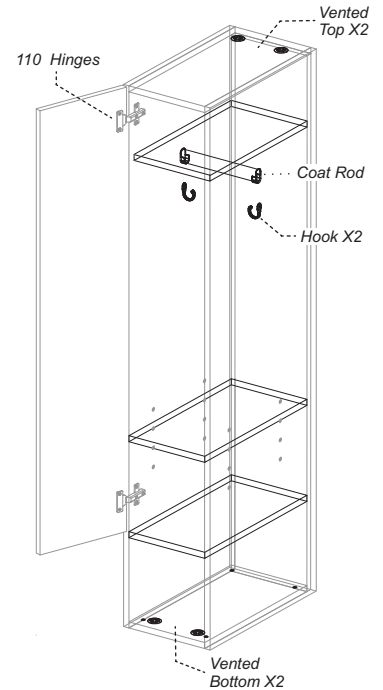
DESCRIPTION:

Single locker with lower open cubby, white interior, optional maple finish available.
Includes: Cam Lock, Keyed.
Handles Incl., Moon, Box, Button, Gala.
Coat Rod & Coat Hooks.
Vented Caps Top and Bottom.
Horizontal or Vertical door face layout.

SPECIFICATION:

- Size: 60" H. x 12" W. x 21" D. (Optn. sizes avail.).
- Pocket size: 45.75"H. x 10.5" W. 19.25" D.
- Construction: 3/4" white melamine composite, wood dowels with metal to metal fittings.
- Doors: 3/4" Melamine Composite board or Thermo-fused M.D.F dependant on style.
- Name & Number Plate: pricing per request.
- Lock: Cam Lock Keyed included, optional locks available.
- Hinge: 110 degree hinges, 3 per door. Optional 165 degree hinges available.
- Edging: 1mm PVC edging on cabinet, 2mm edge on door. Front edge of cabinet matches door finish.
- Bottom drilled through in corners for leveler adjustment pass thru.

72" HIGH



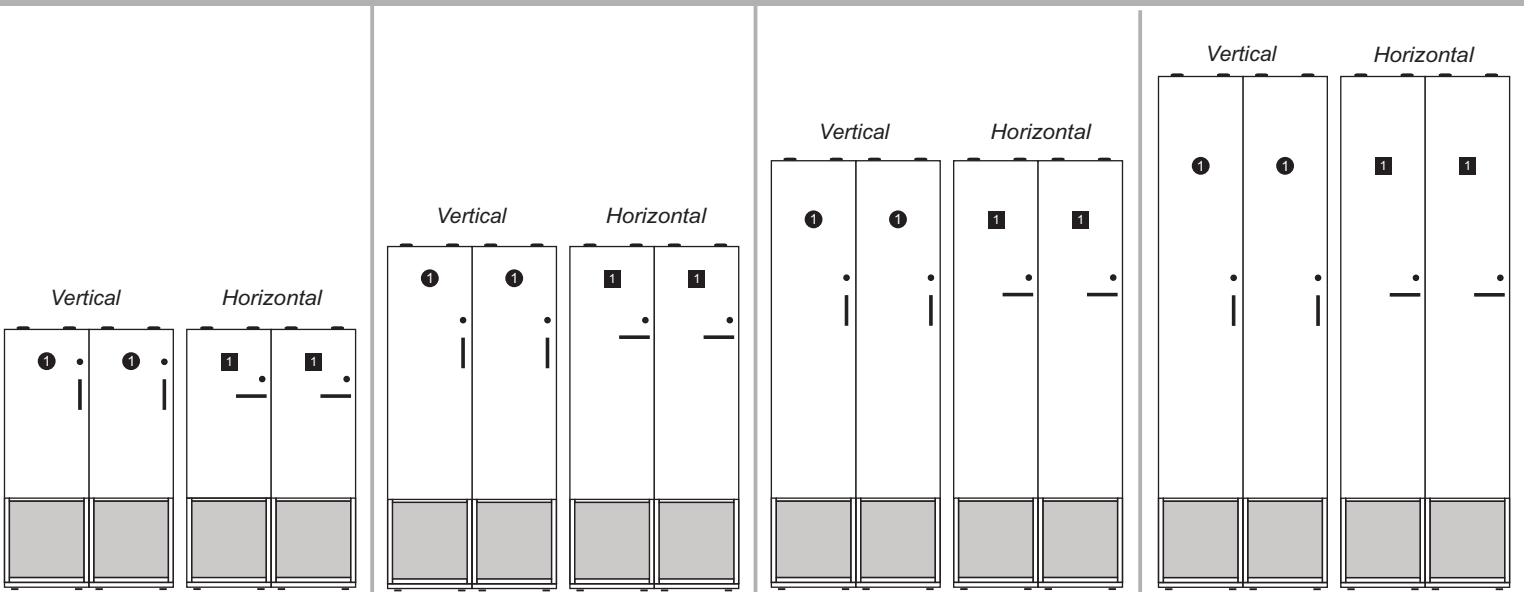
DESCRIPTION:

Single locker with upper fixed shelf, lower adjustable shelf and lower open cubby. White interior, optional Maple finish available.
Includes: Cam Lock, Keyed.
Handles Incl., Moon, Box, Button, Gala.
Coat Rod & Coat Hooks.
Fixed upper shelf, lower adjustable shelf.
Vented Caps Top and Bottom.
Horizontal or Vertical door face layout.

SPECIFICATION:

- Size: 72" H. x 12" W. x 21" D. (Optn. sizes avail.).
- Pocket size: 57.75"H. x 10.5" W. 19.25" D.
- Construction: 3/4" white melamine composite, wood dowels with metal to metal fittings.
- Doors: 3/4" Melamine Composite board or Thermo-fused M.D.F dependant on style.
- Name & Number Plate: pricing per request.
- Lock: Cam Lock Keyed included, optional locks available.
- Hinge: 110 degree hinges, 3 per door. Optional 165 degree hinges available.
- Edging: 1mm PVC edging on cabinet, 2mm edge on door. Front edge of cabinet matches door finish.
- Bottom drilled through in corners for leveler adjustment pass thru.

HANDLE LAYOUT TYPICALS (Standard Base)

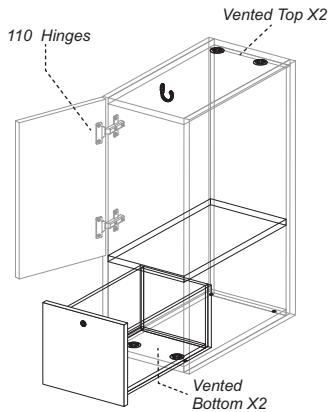


36" HIGH

48" HIGH

60" HIGH

72" HIGH

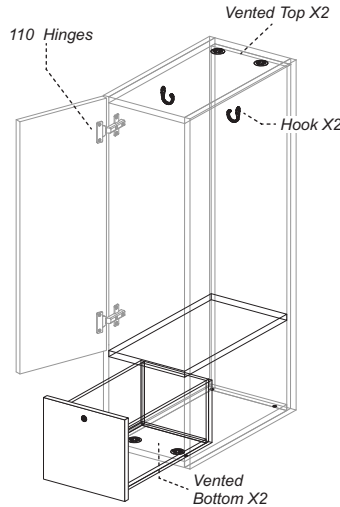


DESCRIPTION:

Single locker with lower drawer, white interior, optional maple finish available.
Includes: Cam Lock, Keyed.
Lower Drawer with Keyed lock.
Handles Incl., Moon, Box, Button, Gala.
Coat Hook.
Vented Caps Top and Bottom.
Horizontal or Vertical door face layout.

SPECIFICATION:

- Size: 36" H. x 12" W. x 21" D. (Optn. sizes avail.).
- Pocket size: 21.75"H. x 10.5" W. 19.25" D.
- Drawer: Keyed lock, metal sides with bottom mount roller runners, 1/2" white composite bottom.
- Construction: 3/4" white melamine composite, wood dowels with metal to metal fittings.
- Doors: 3/4" Melamine Composite board or Thermo-fused M.D.F dependant on style.
- Name & Number Plate: pricing per request.
- Lock: Cam Lock Keyed included, optional locks available.
- Hinge: 110 degree hinges, 2 per door. Optional 165 degree hinges available.
- Edging: 1mm PVC edging on cabinet, 2mm edge on door. Front edge of cabinet matches door finish.
- Bottom drilled through in corners for leveler adjustment pass thru.

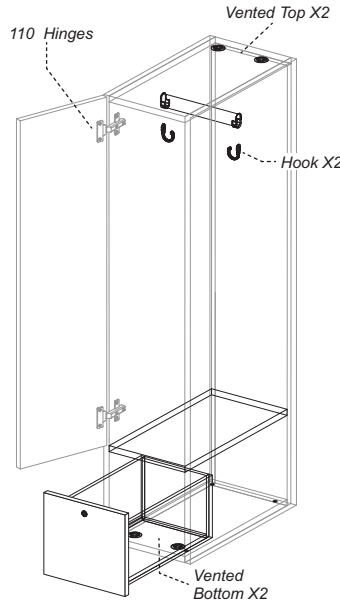


DESCRIPTION:

Single locker with lower drawer, white interior, optional maple finish available.
Includes: Cam Lock, Keyed.
Lower Drawer with Keyed lock.
Handles Incl., Moon, Box, Button, Gala.
Coat Hooks.
Vented Caps Top and Bottom.
Horizontal or Vertical door face layout.

SPECIFICATION:

- Size: 48" H. x 12" W. x 21" D. (Optn. sizes avail.).
- Pocket size: 33.75"H. x 10.5" W. 19.25" D.
- Drawer: Keyed lock, metal sides with bottom mount roller runners, 1/2" white composite bottom.
- Construction: 3/4" white melamine composite, wood dowels with metal to metal fittings.
- Doors: 3/4" Melamine Composite board or Thermo-fused M.D.F dependant on style.
- Name & Number Plate: pricing per request.
- Lock: Cam Lock Keyed included, optional locks available.
- Hinge: 110 degree hinges, 2 per door. Optional 165 degree hinges available.
- Edging: 1mm PVC edging on cabinet, 2mm edge on door. Front edge of cabinet matches door finish.
- Bottom drilled through in corners for leveler adjustment pass thru.

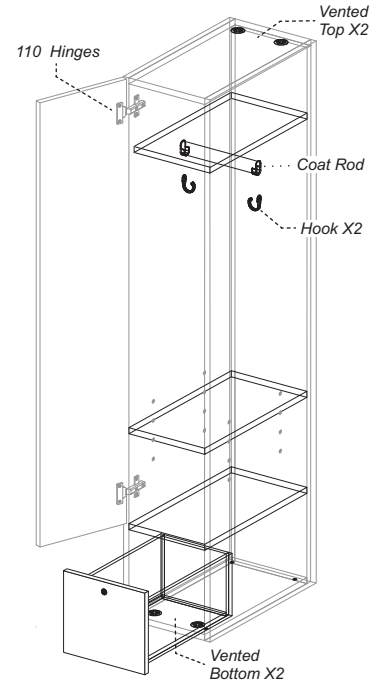


DESCRIPTION:

Single locker with lower drawer, white interior, optional maple finish available.
Includes: Cam Lock, Keyed.
Lower Drawer with Keyed lock.
Handles Incl., Moon, Box, Button, Gala.
Coat Rod & Coat Hooks.
Vented Caps Top and Bottom.
Horizontal or Vertical door face layout.

SPECIFICATION:

- Size: 60" H. x 12" W. x 21" D. (Optn. sizes avail.).
- Pocket size: 45.75"H. x 10.5" W. 19.25" D.
- Drawer: Keyed lock, metal sides with bottom mount roller runners, 1/2" white composite bottom.
- Construction: 3/4" white melamine composite, wood dowels with metal to metal fittings.
- Doors: 3/4" Melamine Composite board or Thermo-fused M.D.F dependant on style.
- Name & Number Plate: pricing per request.
- Lock: Cam Lock Keyed included, optional locks available.
- Hinge: 110 degree hinges, 3 per door. Optional 165 degree hinges available.
- Edging: 1mm PVC edging on cabinet, 2mm edge on door. Front edge of cabinet matches door finish.
- Bottom drilled through in corners for leveler adjustment pass thru.



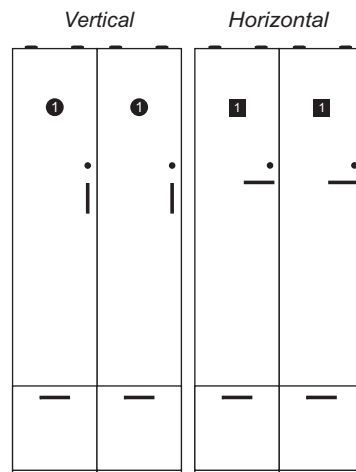
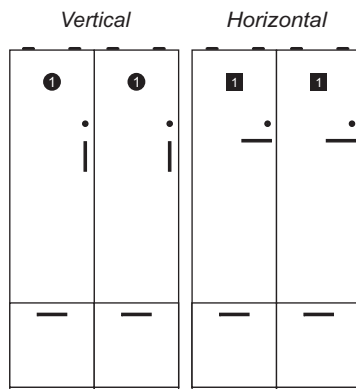
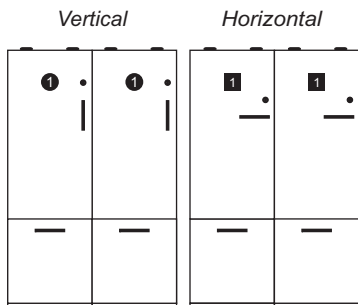
DESCRIPTION:

Single locker with lower drawer, upper fixed shelf and lower adj. shelf. White interior, optional Maple finish available.
Includes: Cam Lock, Keyed.
Lower Drawer with Keyed lock.
Handles Incl., Moon, Box, Button, Gala.
Coat Rod & Coat Hooks.
Vented Caps Top and Bottom.
Horizontal or Vertical door face layout.

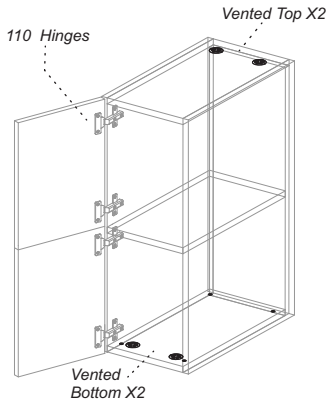
SPECIFICATION:

- Size: 72" H. x 12" W. x 21" D. (Optn. sizes avail.).
- Pocket size: 57.75"H. x 10.5" W. 19.25" D.
- Drawer: Keyed lock, metal sides with bottom mount roller runners, 1/2" white composite bottom.
- Construction: 3/4" white melamine composite, wood dowels with metal to metal fittings.
- Doors: 3/4" Melamine Composite board or Thermo-fused M.D.F dependant on style.
- Name & Number Plate: pricing per request.
- Lock: Cam Lock Keyed included, optional locks available.
- Hinge: 110 degree hinges, 3 per door. Optional 165 degree hinges available.
- Edging: 1mm PVC edging on cabinet, 2mm edge on door. Front edge of cabinet matches door finish.
- Bottom drilled through in corners for leveler adjustment pass thru.

HANDLE LAYOUT TYPICALS (Standard Base)



36" HIGH



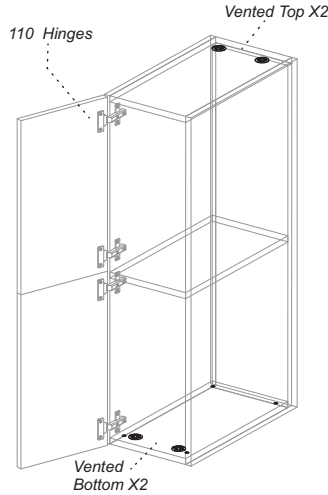
DESCRIPTION:

Double Tier with white interior, optional maple finish available.
Includes: Cam Lock, Keyed.
Handles Incl., Moon, Box, Button, Gala.
Vented Caps Top and Bottom.
Horizontal or Vertical door face layout.

SPECIFICATION:

- Size: 36" H. x 12" W. x 21" D. (Optn. sizes avail.).
- Pocket size: 16.875"H. x 10.5" W. 19.25" D.
- Construction: 3/4" white melamine composite, wood dowels with metal to metal fittings.
- Doors: 3/4" Melamine Composite board or Thermo-fused M.D.F dependant on style.
- Name & Number Plate: pricing per request.
- Lock: Cam Lock Keyed included, optional locks available.
- Hinge: 110 degree hinges, 2 per door. Optional 165 degree hinges available.
- Edging: 1mm PVC edging on cabinet, 2mm edge on door. Front edge of cabinet matches door finish.
- Bottom drilled through in corners for leveler adjustment pass thru.

48" HIGH



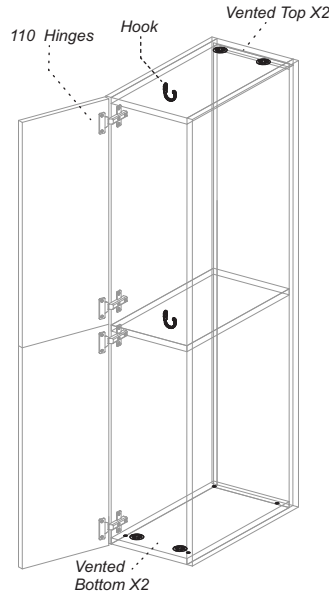
DESCRIPTION:

Double Tier with white interior, optional maple finish available.
Includes: Cam Lock, Keyed.
Handles Incl., Moon, Box, Button, Gala.
Vented Caps Top and Bottom.
Horizontal or Vertical door face layout.

SPECIFICATION:

- Size: 48" H. x 12" W. x 21" D. (Optn. sizes avail.).
- Pocket size: 22.875"H. x 10.5" W. 19.25" D.
- Construction: 3/4" white melamine composite, wood dowels with metal to metal fittings.
- Doors: 3/4" Melamine Composite board or Thermo-fused M.D.F dependant on style.
- Name & Number Plate: pricing per request.
- Lock: Cam lock Keyed included, optional locks available.
- Hinge: 110 degree hinges, 2 per door. Optional 165 degree hinges available.
- Edging: 1mm PVC edging on cabinet, 2mm edge on door. Front edge of cabinet matches door finish.
- Bottom drilled through in corners for leveler adjustment pass thru.

60" HIGH



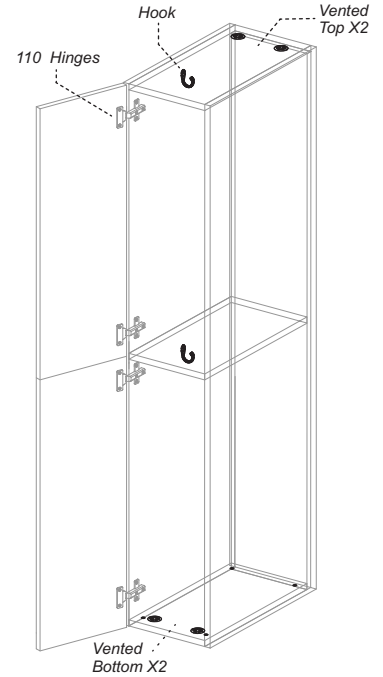
DESCRIPTION:

Double Tier with white interior, optional maple finish available.
Includes: Cam Lock, Keyed.
Handles Incl., Moon, Box, Button, Gala.
Coat Hook.
Vented Caps Top and Bottom.
Horizontal or Vertical door face layout.

SPECIFICATION:

- Size: 60" H. x 12" W. x 21" D. (Optn. sizes avail.).
- Pocket size: 28.875"H. x 10.5" W. 19.25" D.
- Construction: 3/4" white melamine composite, wood dowels with metal to metal fittings.
- Doors: 3/4" Melamine Composite board or Thermo-fused M.D.F dependant on style.
- Name & Number Plate: pricing per request.
- Lock: Cam Lock Keyed included, optional locks available.
- Hinge: 110 degree hinges, 2 per door. Optional 165 degree hinges available.
- Edging: 1mm PVC edging on cabinet, 2mm edge on door. Front edge of cabinet matches door finish.
- Bottom drilled through in corners for leveler adjustment pass thru.

72" HIGH



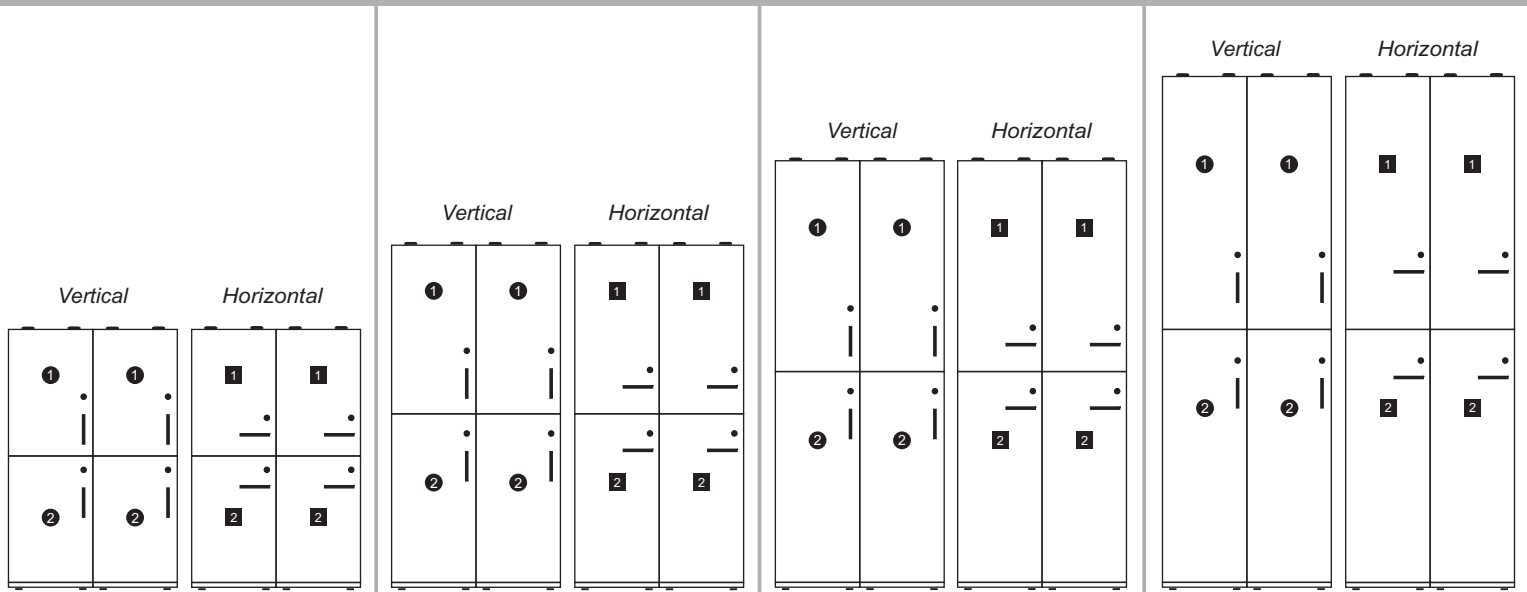
DESCRIPTION:

Double Tier with white interior, optional maple finish available.
Includes: Cam Lock, Keyed.
Handles Incl., Moon, Box, Button, Gala.
Coat Hooks, 1 per tier.
Vented Caps Top and Bottom.
Horizontal or Vertical door face layout.

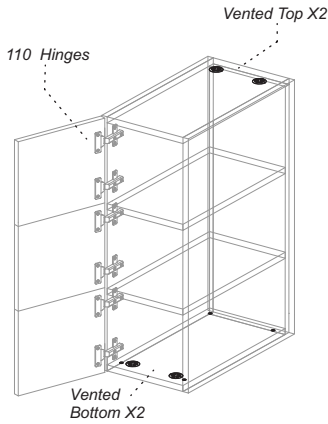
SPECIFICATION:

- Size: 72" H. x 12" W. x 21" D. (Optn. sizes avail.).
- Pocket size: 34.86" H. x 10.5" W. 19.25" D.
- Construction: 3/4" white melamine composite, wood dowels with metal to metal fittings.
- Doors: 3/4" Melamine Composite board or Thermo-fused M.D.F dependant on style.
- Name & Number Plate: pricing per request.
- Lock: Cam Lock Keyed included, optional locks available.
- Hinge: 110 degree hinges, 2 per door. Optional 165 degree hinges available.
- Edging: 1mm PVC edging on cabinet, 2mm edge on door. Front edge of cabinet matches door finish.
- Bottom drilled through in corners for leveler adjustment pass thru.

HANDLE LAYOUT TYPICALS (Standard Base)



36" HIGH



DESCRIPTION:

Three Tier with white interior, optional maple finish available.

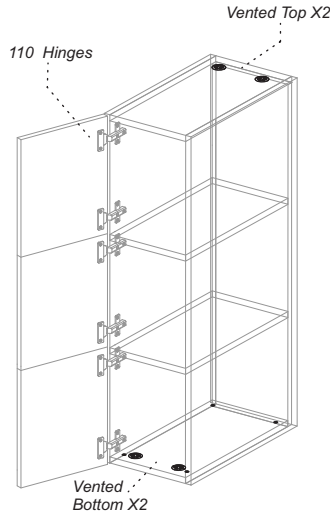
Includes: Cam Lock, Keyed.

Handles Incl., Moon, Box, Button, Gala.
Vented Caps Top and Bottom.
Horizontal or Vertical door face layout.

SPECIFICATION:

- Size: 36" H. x 12" W. x 21" D. (Optn. sizes avail.).
- Pocket size: 16.875"H. x 10.5" W. 19.25" D.
- Construction: 3/4" white melamine composite, wood dowels with metal to metal fittings.
- Doors: 3/4" Melamine Composite board or Thermo-fused M.D.F dependant on style.
- Name & Number Plate: pricing per request.
- Lock: Cam Lock Keyed included, optional locks available.
- Hinge: 110 degree hinges, 2 per door. Optional 165 degree hinges available.
- Edging: 1mm PVC edging on cabinet, 2mm edge on door. Front edge of cabinet matches door finish.
- Bottom drilled through in corners for leveler adjustment pass thru.

48" HIGH



DESCRIPTION:

Three Tier with white interior, optional maple finish available.

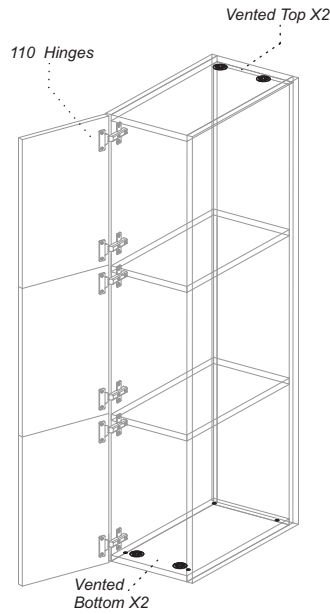
Includes: Cam Lock, Keyed.

Handles Incl., Moon, Box, Button, Gala.
Vented Caps Top and Bottom.
Horizontal or Vertical door face layout.

SPECIFICATION:

- Size: 48" H. x 12" W. x 21" D. (Optn. sizes avail.).
- Pocket size: 22.875"H. x 10.5" W. 19.25" D.
- Construction: 3/4" white melamine composite, wood dowels with metal to metal fittings.
- Doors: 3/4" Melamine Composite board or Thermo-fused M.D.F dependant on style.
- Name & Number Plate: pricing per request.
- Lock: Cam Lock Keyed included, optional locks available.
- Hinge: 110 degree hinges, 2 per door. Optional 165 degree hinges available.
- Edging: 1mm PVC edging on cabinet, 2mm edge on door. Front edge of cabinet matches door finish.
- Bottom drilled through in corners for leveler adjustment pass thru.

60" HIGH



DESCRIPTION:

Three Tier with white interior, optional maple finish available.

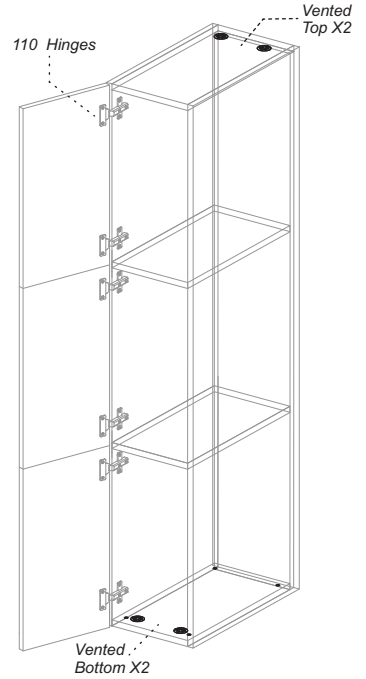
Includes: Cam Lock, Keyed.

Handles Incl., Moon, Box, Button, Gala.
Vented Caps Top and Bottom.
Horizontal or Vertical door face layout.

SPECIFICATION:

- Size: 60" H. x 12" W. x 21" D. (Optn. sizes avail.).
- Pocket size: 28.875"H. x 10.5" W. 19.25" D.
- Construction: 3/4" white melamine composite, wood dowels with metal to metal fittings.
- Doors: 3/4" Melamine Composite board or Thermo-fused M.D.F dependant on style.
- Name & Number Plate: pricing per request.
- Lock: Cam Lock Keyed included, optional locks available.
- Hinge: 110 degree hinges, 2 per door. Optional 165 degree hinges available.
- Edging: 1mm PVC edging on cabinet, 2mm edge on door. Front edge of cabinet matches door finish.
- Bottom drilled through in corners for leveler adjustment pass thru.

72" HIGH



DESCRIPTION:

Three Tier with white interior, optional maple finish available.

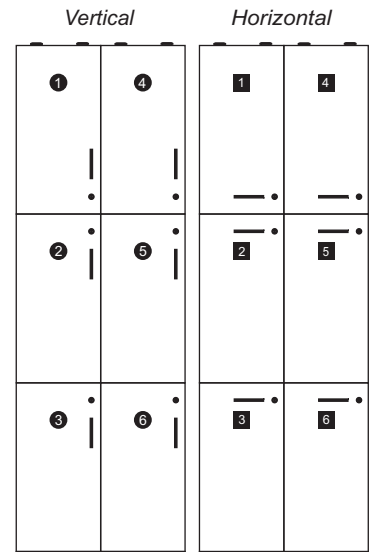
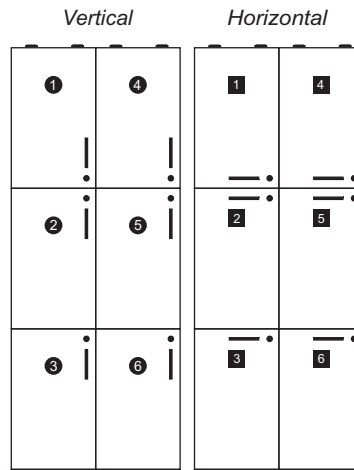
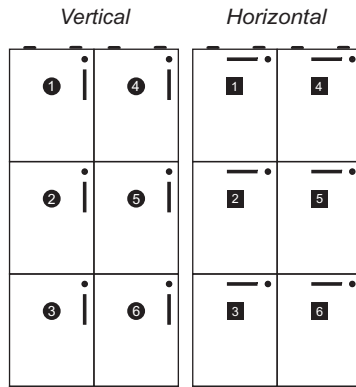
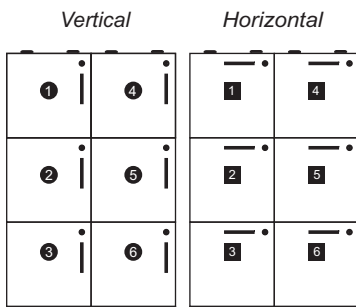
Includes: Cam Lock, Keyed.

Handles Incl., Moon, Box, Button, Gala.
Vented Caps Top and Bottom.
Horizontal or Vertical door face layout.

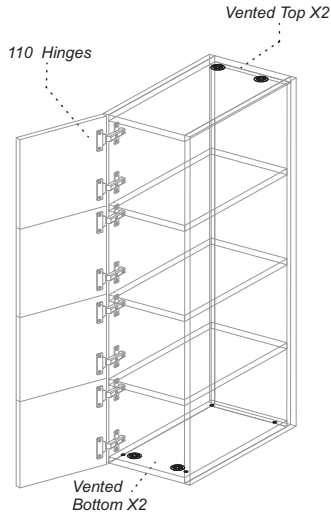
SPECIFICATION:

- Size: 72" H. x 12" W. x 21" D. (Optn. sizes avail.).
- Pocket size: 34.86"H. x 10.5" W. 19.25" D.
- Construction: 3/4" white melamine composite, wood dowels with metal to metal fittings.
- Doors: 3/4" Melamine Composite board or Thermo-fused M.D.F dependant on style.
- Name & Number Plate: pricing per request.
- Lock: Cam Lock Keyed included, optional locks available.
- Hinge: 110 degree hinges, 2 per door. Optional 165 degree hinges available.
- Edging: 1mm PVC edging on cabinet, 2mm edge on door. Front edge of cabinet matches door finish.
- Bottom drilled through in corners for leveler adjustment pass thru.

HANDLE LAYOUT TYPICALS (Standard Base)



48" HIGH



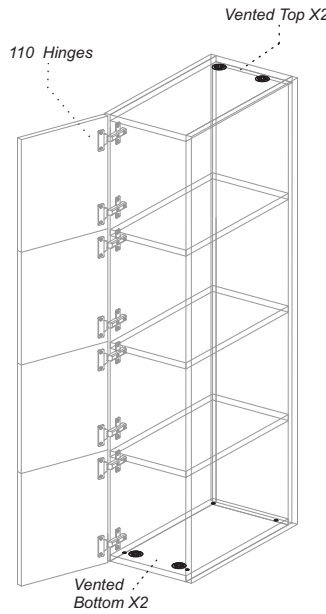
DESCRIPTION:

Four Tier with white interior, optional maple finish available.
Includes: Cam Lock, Keyed.
Handles Incl., Moon, Box, Button, Gala.
Vented Caps Top and Bottom.
Horizontal or Vertical door face layout.

SPECIFICATION:

- Size: 48" H. x 12" W. x 21" D. (Optn. sizes avail.).
- Pocket size: 22.875"H. x 10.5" W. 19.25" D.
- Construction: 3/4" white melamine composite, wood dowels with metal to metal fittings.
- Doors: 3/4" Melamine Composite board or Thermo-fused M.D.F dependant on style.
- Name & Number Plate: pricing per request.
- Lock: Cam Lock Keyed included, optional locks available.
- Hinge: 110 degree hinges, 2 per door. Optional 165 degree hinges available.
- Edging: 1mm PVC edging on cabinet, 2mm edge on door. Front edge of cabinet matches door finish.
- Bottom drilled through in corners for leveler adjustment pass thru.

60" HIGH



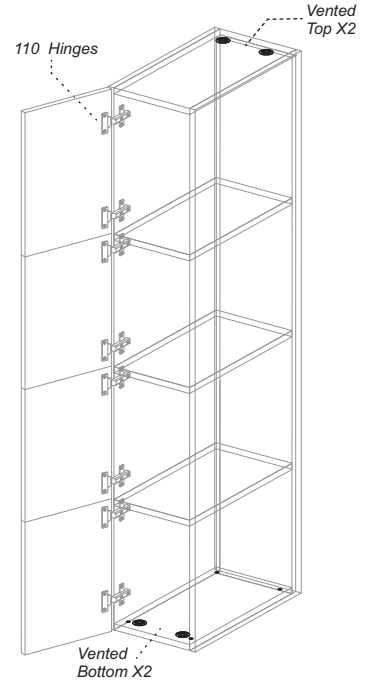
DESCRIPTION:

Four Tier with white interior, optional maple finish available.
Includes: Cam Lock, Keyed.
Handles Incl., Moon, Box, Button, Gala.
Vented Caps Top and Bottom.
Horizontal or Vertical door face layout.

SPECIFICATION:

- Size: 60" H. x 12" W. x 21" D. (Optn. sizes avail.).
- Pocket size: 28.875"H. x 10.5" W. 19.25" D.
- Construction: 3/4" white melamine composite, wood dowels with metal to metal fittings.
- Doors: 3/4" Melamine Composite board or Thermo-fused M.D.F dependant on style.
- Name & Number Plate: pricing per request.
- Lock: Cam Lock Keyed included, optional locks available.
- Hinge: 110 degree hinges, 2 per door. Optional 165 degree hinges available.
- Edging: 1mm PVC edging on cabinet, 2mm edge on door. Front edge of cabinet matches door finish.
- Bottom drilled through in corners for leveler adjustment pass thru.

72" HIGH



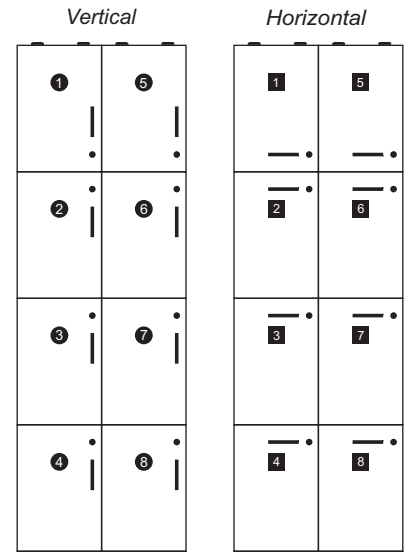
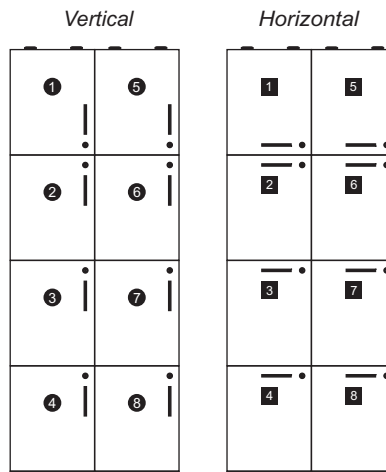
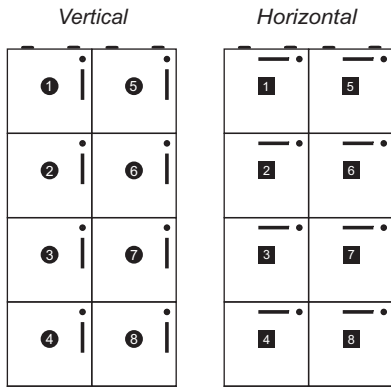
DESCRIPTION:

Four Tier with white interior, optional maple finish available.
Includes: Cam Lock, Keyed.
Handles Incl., Moon, Box, Button, Gala.
Vented Caps Top and Bottom.
Horizontal or Vertical door face layout.

SPECIFICATION:

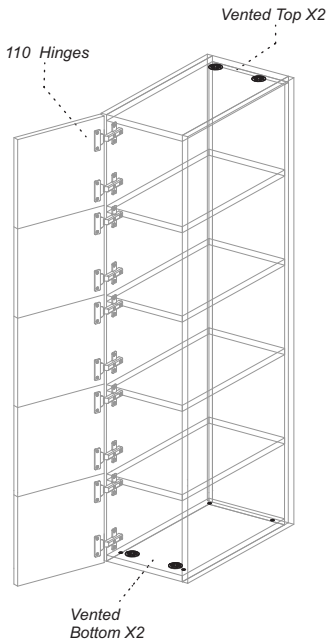
- Size: 72" H. x 12" W. x 21" D. (Optn. sizes avail.).
- Pocket size: 34.86"H. x 10.5" W. 19.25" D.
- Construction: 3/4" white melamine composite, wood dowels with metal to metal fittings.
- Doors: 3/4" Melamine Composite board or Thermo-fused M.D.F dependant on style.
- Name & Number Plate: pricing per request.
- Lock: Cam Lock Keyed included, optional locks available.
- Hinge: 110 degree hinges, 2 per door. Optional 165 degree hinges available.
- Edging: 1mm PVC edging on cabinet, 2mm edge on door. Front edge of cabinet matches door finish.
- Bottom drilled through in corners for leveler adjustment pass thru.

HANDLE LAYOUT TYPICALS (Standard Base)



60" HIGH

HANDLE LAYOUT



DESCRIPTION:

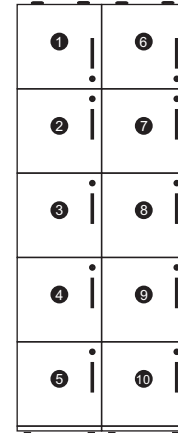
Five tier with white interior, optional maple finish available.

Includes: Cam Lock, Keyed.
Handles Incl., Moon, Box, Button, Gala.
Vented Caps Top and Bottom.
Horizontal or Vertical door face layout.

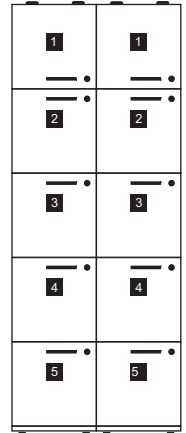
SPECIFICATION:

- Size: 60" H. x 12" W. x 21" D. (Optn. sizes avail.).
- Pocket size: 11"H. x 10.5" W. 19.25" D.
- Construction: 3/4" white melamine composite, wood dowels with metal to metal fittings.
- Doors: 3/4" Melamine Composite board or Thermo-fused M.D.F dependant on style.
- Name & Number Plate: pricing per request.
- Lock: Cam Lock Keyed included, optional locks available.
- Hinge: 110 degree hinges, 2 per door. Optional 165 degree hinges available.
- Edging: 1mm PVC edging on cabinet, 2mm edge on door. Front edge of cabinet matches door finish.
- Bottom drilled through in corners for leveler adjustment pass thru.

Vertical

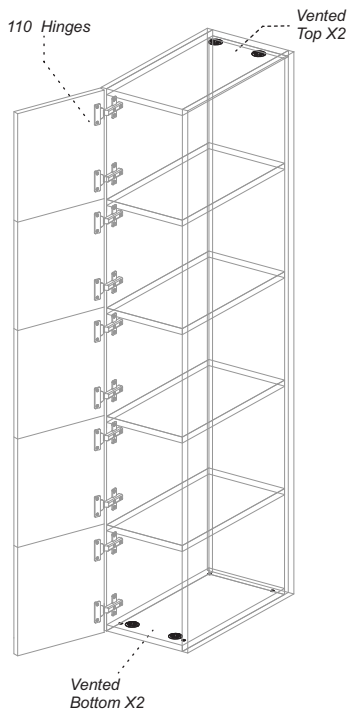


Horizontal



72" HIGH

HANDLE LAYOUT



DESCRIPTION:

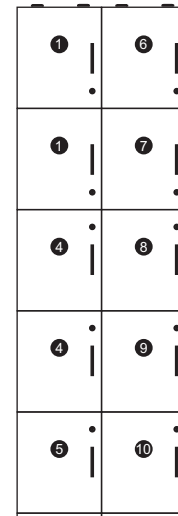
Five Tier with white interior, optional maple finish available.

Includes: Cam Lock, Keyed.
Handles Incl., Moon, Box, Button, Gala.
Vented Caps Top and Bottom.
Horizontal or Vertical door face layout.

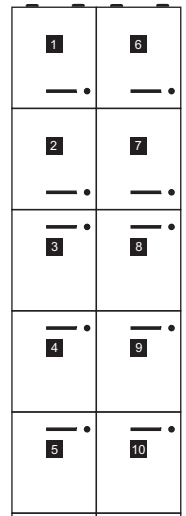
SPECIFICATION:

- Size: 72" H. x 12" W. x 21" D. (Optn. sizes avail.).
- Pocket size: 13.5" H. x 10.5" W. 19.25" D.
- Construction: 3/4" white melamine composite, wood dowels with metal to metal fittings.
- Doors: 3/4" Melamine Composite board or Thermo-fused M.D.F dependant on style.
- Name & Number Plate: pricing per request.
- Lock: Cam Lock Keyed included, optional locks available.
- Hinge: 110 degree hinges, 2 per door. Optional 165 degree hinges available.
- Edging: 1mm PVC edging on cabinet, 2mm edge on door. Front edge of cabinet matches door finish.
- Bottom drilled through in corners for leveler adjustment pass thru.

Vertical

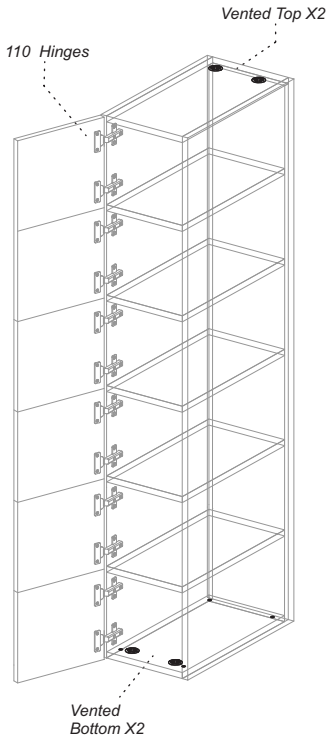


Horizontal



72" HIGH

HANDLE LAYOUT (STANDARD BASE)



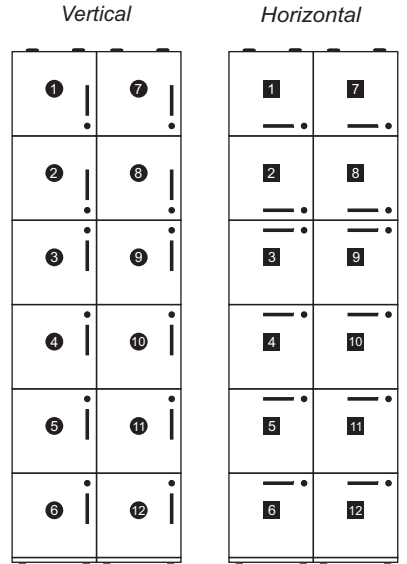
DESCRIPTION:

Six Tier with white interior, optional maple finish available.

- Includes:** Cam Lock, Keyed.
 Handles Included, Moon, Box, Button, Marilyn.
 Vented Caps Top and Bottom.
 Horizontal or Vertical door face layout.

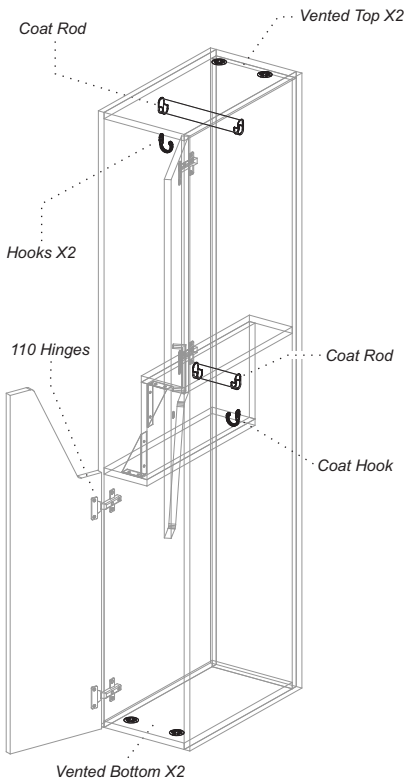
SPECIFICATION:

- Size: 72" H. x 12" W. x 20" D. (Optional sizes available).
- Pocket size: 11"H. x 10.5" W. 19.25" D.
- Construction: 3/4" white melamine composite, wood dowels with metal to metal fittings.
- Doors: 3/4" Melamine Composite board or Thermo-fused M.D.F dependant on style.
- Name & Number Plate: pricing per request.
- Lock: Cam Lock Keyed included, optional locks available.
- Hinge: 110 degree hinges, 2 per door. Optional 165 degree hinges available.
- Edging: 1mm PVC edging on cabinet, 2mm edge on door. Front edge of cabinet matches door finish.
- Bottom drilled through in corners for leveler adjustment pass thru.



Z- SPORT

HANDLE LAYOUT (STANDARD BASE)



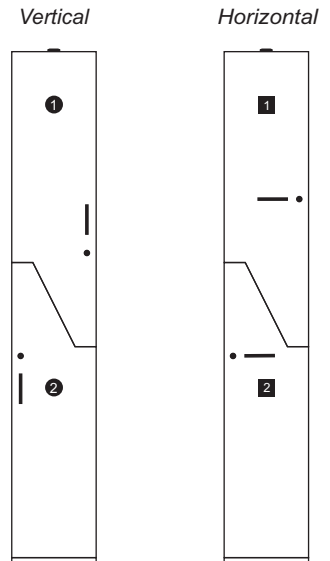
DESCRIPTION

Z - Storage locker, features extended height area for storage of equipment or clothing. White interior, optional Maple finish available.

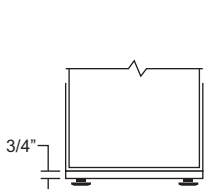
- Includes:**
 Cam Lock Keyed included, optional locks available.
 Handles Included, Moon, Box, Button, Marilyn.
 Coat Rod.
 Coat Hooks.
 Vented Caps Top and Bottom.

SPECIFICATION

- Overall Size: 72" x 20" x 12" (Optional Cabinet sizes available).
- Extended Compartment Size: 42" x 20" x 5" for storage of specialized equipment or clothing, can be customized for special storage requirements (Optional Cabinet sizes available).
- Construction: 3/4" White Melamine composite board. Wood dowels with metal fittings.
- Doors: 3/4" Melamine Composite board or Thermo-fused M.D.F dependant on style.
- Name & Number Plate: pricing per request.
- Lock: Cam Lock Keyed included, optional locks available.
- Hinge: 110 degree hinges, optional 165 degree hinges available.
- Edging: 1mm PVC edging on cabinet 2mm edge on door. Front edge of cabinet matches door finish.
- Bottom drilled through in corners for leveler adjustment pass thru



BASE PLATE (Standard)

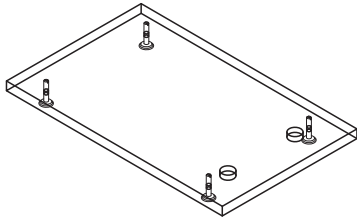


DESCRIPTION:
Base Plate with levelers, 1-1/4" adjustment range, non marring black nylon glide, metal stem and anchor.

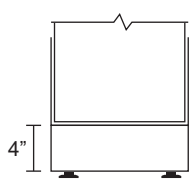
Material: 3/4" Composite substrate Edged in 1mm PVC matching door finish.

Construction: Attached with wood screws to locker bottom, Base Plate drilled through in corners for leveler adjustment pass thru and vent exit.

Base Plate - P



4" PLATFORM

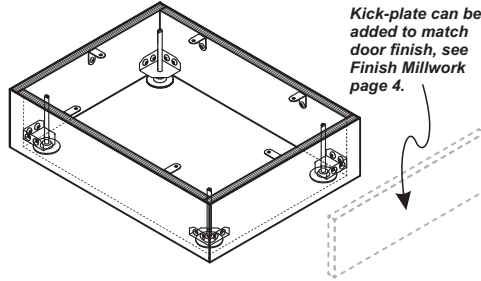


DESCRIPTION:
4" Platform with levelers, 1-1/4" adjustment range, non marring black nylon glide with metal stem and corner bracket.

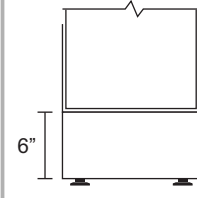
Material: Plywood substrate laid up with black high pressure laminate on all four sides.

Construction: Metal brackets and dowels. Platform attached to locker bottom with metal bracket. Locker base drilled through in corners for leveler adjustment pass thru.

4" Platform - F



6" PLATFORM

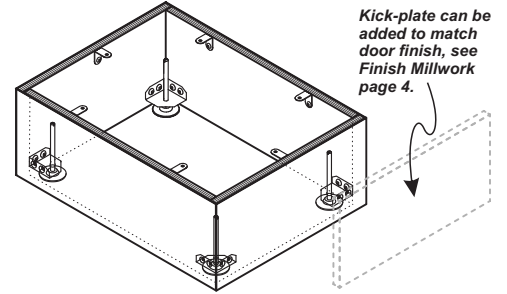


DESCRIPTION:
Platform Base with 6" rise, 1-1/4" adjustment range, non marring black nylon glide with metal stem and corner bracket, black finish.

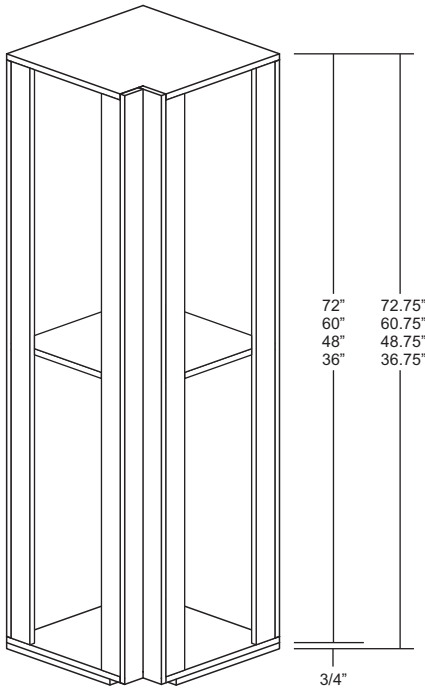
Material: Plywood substrate laid up with black high pressure laminate on all four sides.

Construction: Metal brackets and dowels. Locker base drilled through in corners for leveler adjustment pass thru.

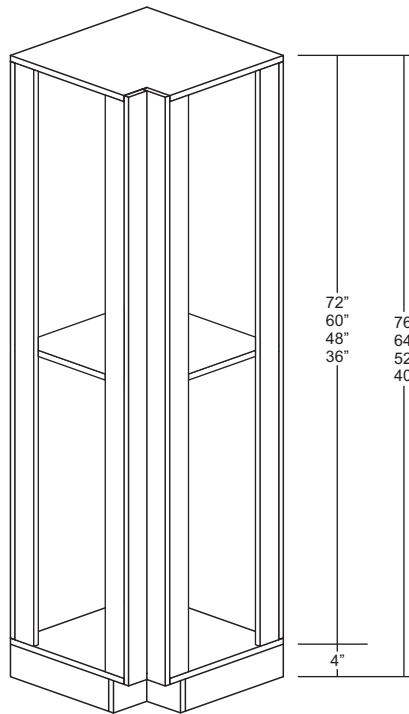
6" Platform - S



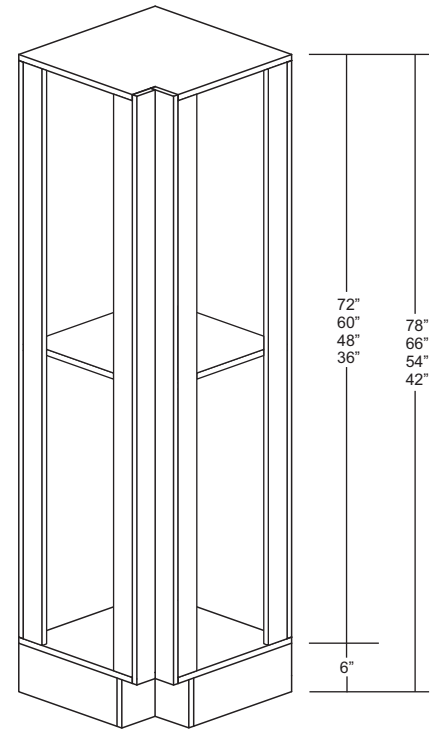
CORNER BRIDGE CABINET - STD. BASE



CORNER BRIDGE CABINET - 4" PLATFORM

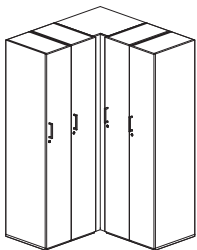


CORNER BRIDGE CABINET - 6" PLATFORM



DESCRIPTION:
Corner Cabinet with 3/4" Base Plate on levelers.

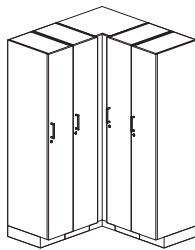
Size: Select-H, x 23" W. x 20" D.
Cabinet Material: 3/4" white melamine composite.
Cabinet Construction: Wood dowels, metal to metal fittings and metal brackets. Base plate drilled through in corners for leveler adjustment pass thru.
Finish: Front panels match door finish. Body matches locker body. 3/4" Composite substrate Edged in 1mm PVC matching door finish.
Material: 3/4" Composite substrate Edged in 1mm PVC matching door finish.
Base Construction: Attached with wood screws to locker bottom, Base Plate drilled through in corners for leveler adjustment pass thru.



VISUAL APPEARANCE Base Plate

DESCRIPTION:
Corner Cabinet on 4" Platform with corner pas thru levelers.

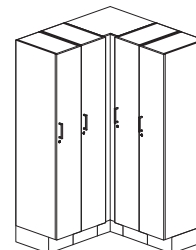
Size: Select-H, x 23" W. x 20" D.
Cabinet Material: 3/4" white melamine composite.
Cabinet Construction: Wood dowels, metal to metal fittings and metal brackets. Platform drilled through in corners for leveler adjustment pass thru.
Finish: Front panels match door finish. Body matches locker body.
Material: Plywood substrate laid up with black high pressure laminate on 4 sides.
Platform Construction: Metal brackets and dowels. Platform attached to locker bottom with metal brackets. Locker base drilled through in corners for leveler adjustment pass thru.



VISUAL APPEARANCE 4" Platform

DESCRIPTION:
Corner Cabinet on 6" Platform with corner pas thru levelers.

Size: Select-H, x 23" W. x 20" D.
Cabinet Material: 3/4" white melamine composite.
Cabinet Construction: Wood dowels, metal to metal fittings and metal brackets. Platform drilled through in corners for leveler adjustment pass thru.
Finish: Front panels match door finish. Body matches locker body.
Material: Plywood substrate laid up with black high pressure laminate on 4 sides.
Platform Construction: Metal brackets and dowels. Platform attached to locker bottom with metal brackets. Locker base drilled through in corners for leveler adjustment pass thru.



VISUAL APPEARANCE 6" Platform